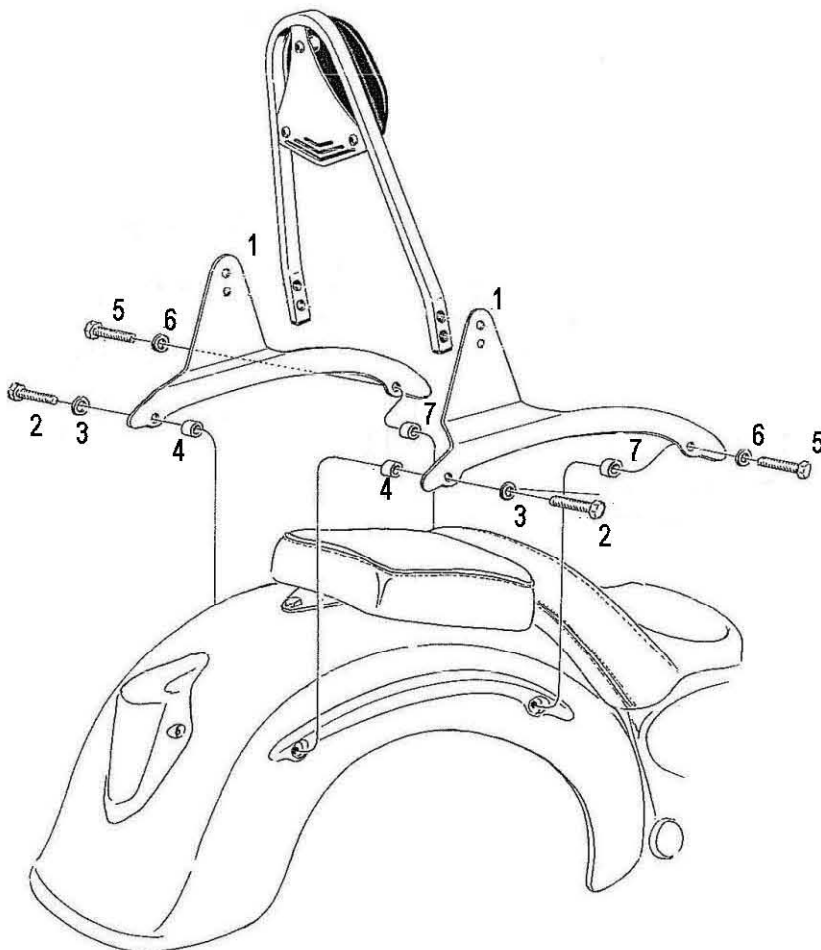
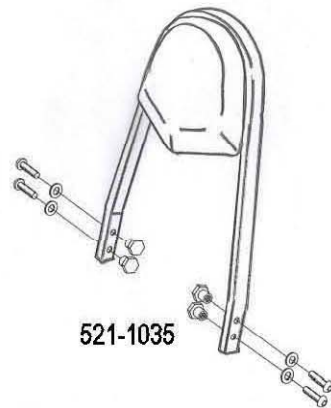
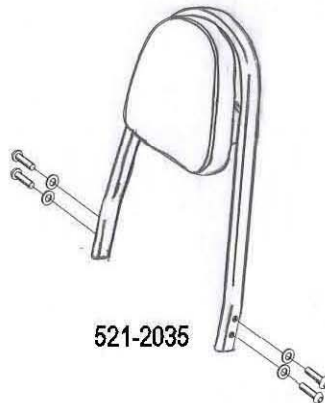
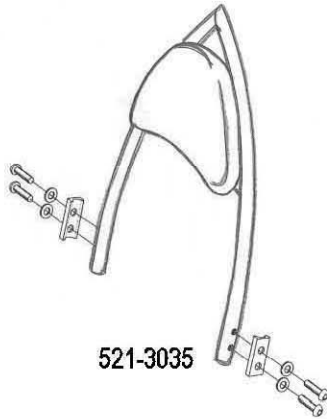


**HIGHWAY HAWK**  
*passion for chrome*

**Sissybar**

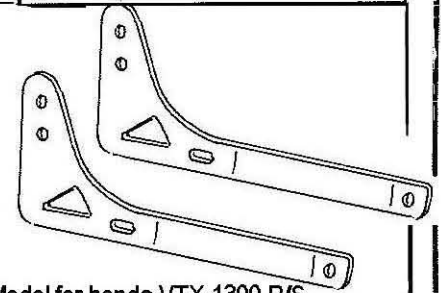
**Honda VTX 1300**

**Art.no. 521-1035A**



**Components**

1	Mounting Strut	2x
2	Allenhead bolt M8 x 45mm	2x
3	Washer M8	2x
4	Spacer Ø14 x Ø8,5 x 17mm	2x
5	Allenhead bolt M10 x 55mm	2x
6	Washer M10	2x
7	Spacer Ø16 x Ø10,5 x 17mm	2x



Model for honda VTX 1300 R/S

This accessory should be mounted by a professional mechanic only.  
 MotoLux International B.V. / Highway Hawk can not be held responsible for improper installation.

© Moto-Lux Specialties B.V.  
 Barneveld - The Netherlands