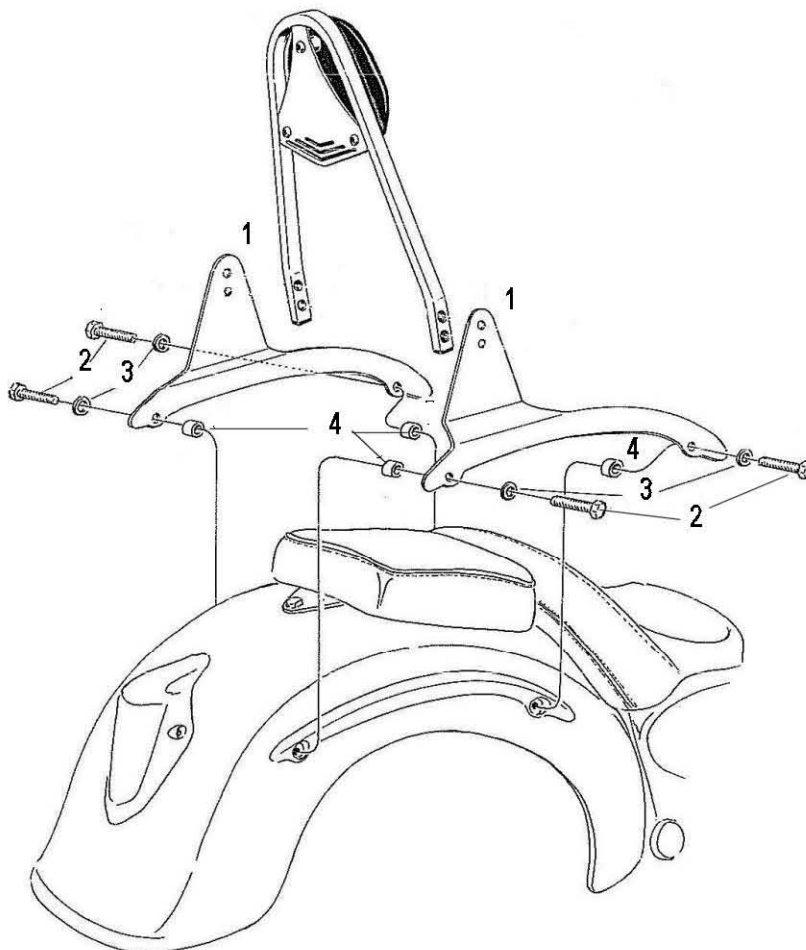
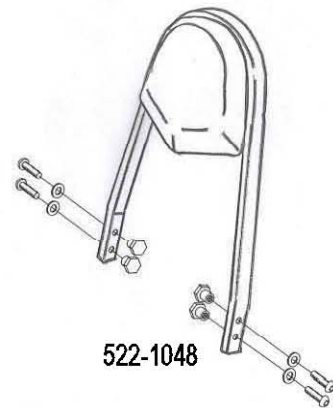
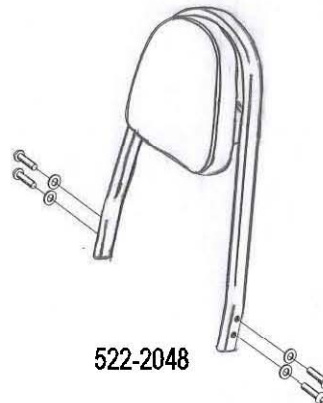
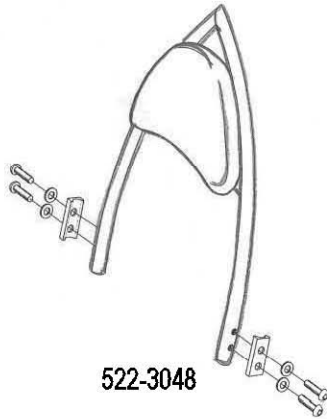


**HIGHWAY HAWK**  
*passion for chrome*

**Sissybar**

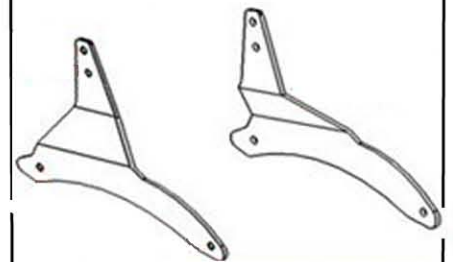
**Yamaha XVS 1900**

Art.no. 522-1048A



**Components**

1.	Side bracket	2x
2.	Bolt M8x 55	4x
3.	Washer M8	4x
4.	Spacer Ø20 x 15	4x



Model for Yamaha XV 1900

This accessory should be mounted by a professional mechanic only.  
 MotoLux International B.V. / Highway Hawk can not be held responsible for improper installation.

© Moto-Lux Specialties B.V.  
 Barneveld - The Netherlands