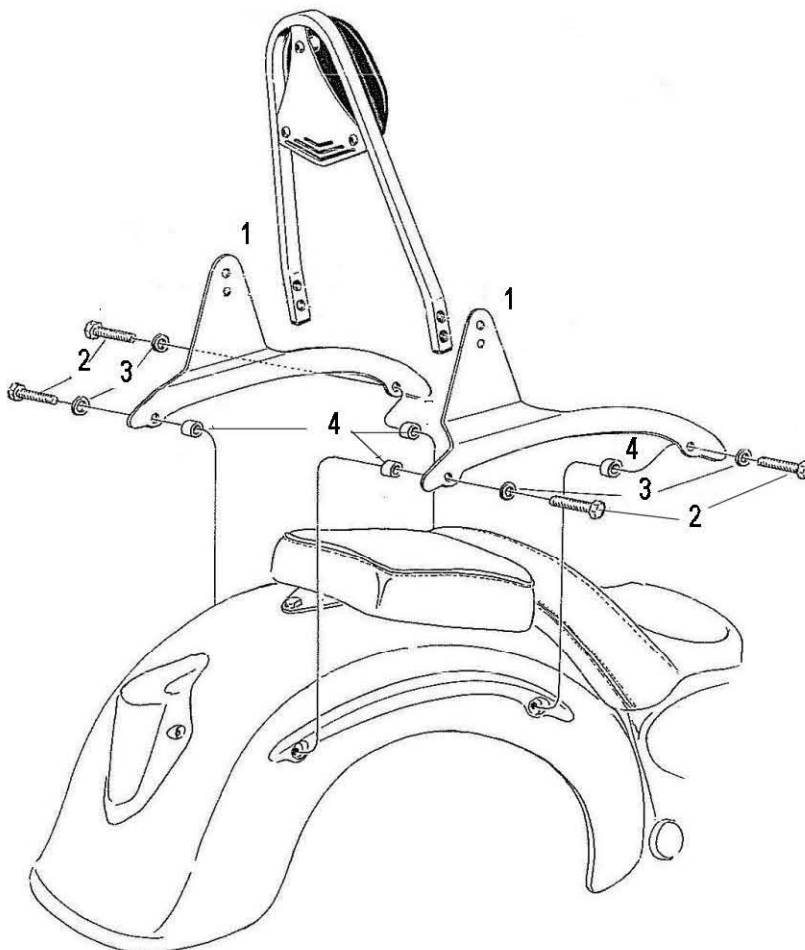
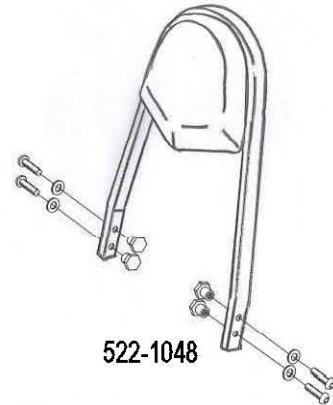
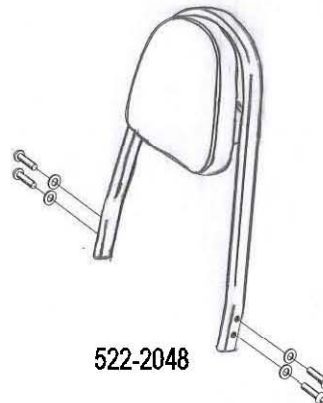
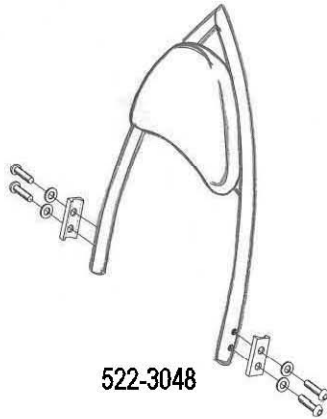


**HIGHWAY HAWK**  
*passion for chrome*

**Sissybar**

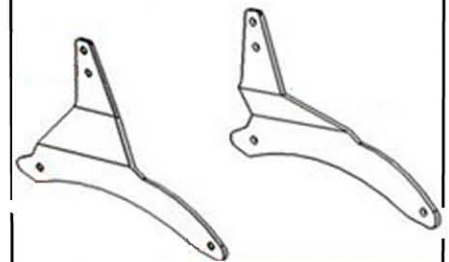
**Yamaha XVS 1900**

Art.no. 522-1048A



**Components**

|    |                 |    |
|----|-----------------|----|
| 1. | Side bracket    | 2x |
| 2. | Bolt M8x 55     | 4x |
| 3. | Washer M8       | 4x |
| 4. | Spacer Ø20 x 15 | 4x |



Model for Yamaha XV 1900

This accessory should be mounted by a professional mechanic only.  
 MotoLux International B.V. / Highway Hawk can not be held responsible for improper installation.

© Moto-Lux Specialties B.V.  
 Barneveld - The Netherlands