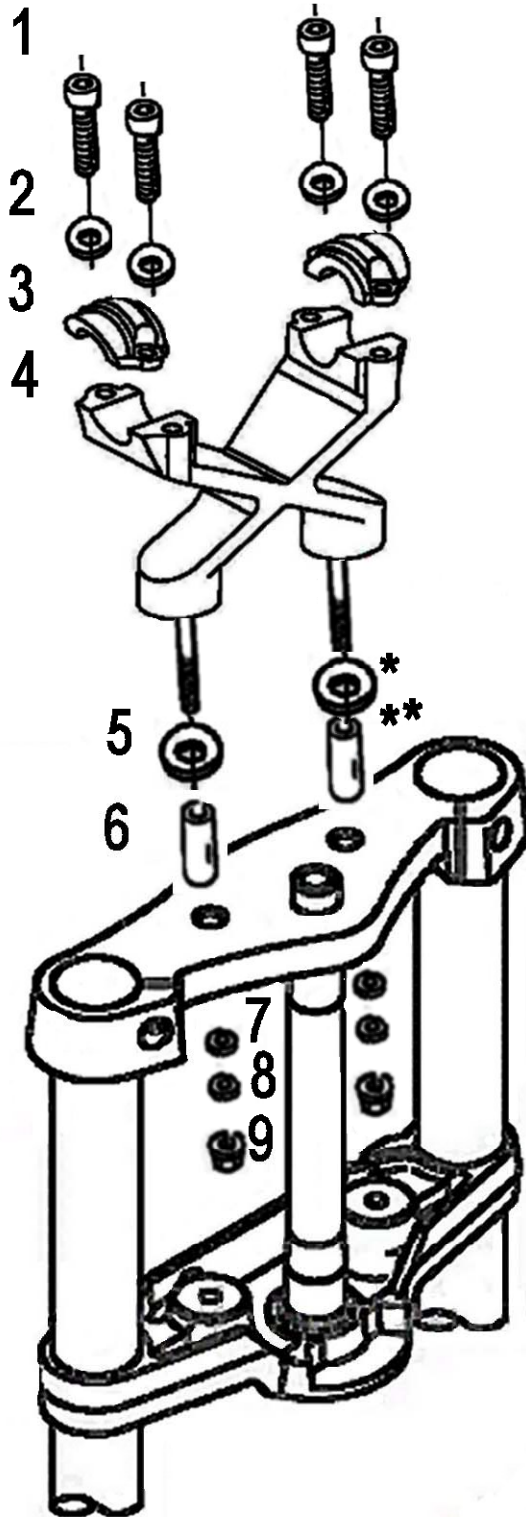


Use for Yoke with 100mm distance M10 M12 and M14



Components

1	Bolt M8 x 20	4x
2	Springwasher	4x
3	Riser Clamp	2x
4	Gothic riser	1x
5	* Washer Ø34 x 2	2x
6	** Bush Ø12 x 50	2x
6	** Bush Ø14 x 50	2x
7	Washer M10	2x
8	Springwasher M10	2x
9	Lock Nut M10 (1.25)	2x
* Required for models with damper kit		
** Required for Ø14 or Ø12 MM Yoke		

This accessory should be mounted by a professional mechanic only.
 MotoLux International B.V. / Highway Hawk can not be held responsible for improper installation.

© Moto-Lux Specialties B.V.
 Barneveld - The Netherlands