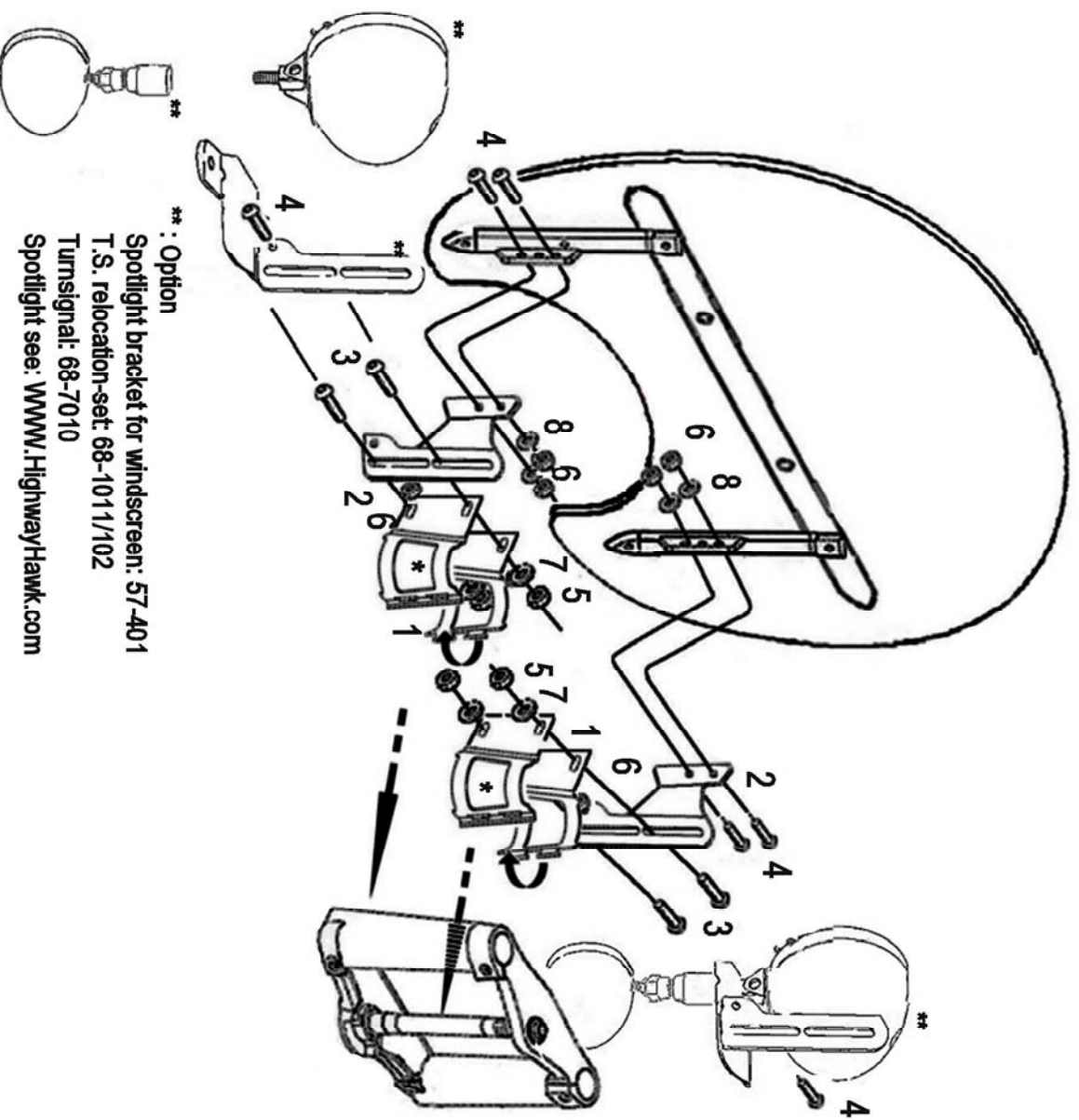


# Conical Windscreen Bracket

Art.no. **57-400B**

Components		
1	Conical Bracket set	2x
2	Windscreen Bracket set	2x
3	Bolt M8 x 25mm	4x
4	Bolt M6 x 16mm	6x
5	Nut M8	4x
6	Nut M6	6x
7	Washer M8	4x
8	Washer M6	6x
*	Tape for adjustment 1mm	8x
*	Tape for adjustment 2.5mm	4x



\*\* : Option

Spotlight bracket for windscreen: 57-401  
 T.S. relocation-set: 68-1011/102  
 Turnsignal: 68-7010  
 Spotlight see: [WWW.HighwayHawk.com](http://WWW.HighwayHawk.com)