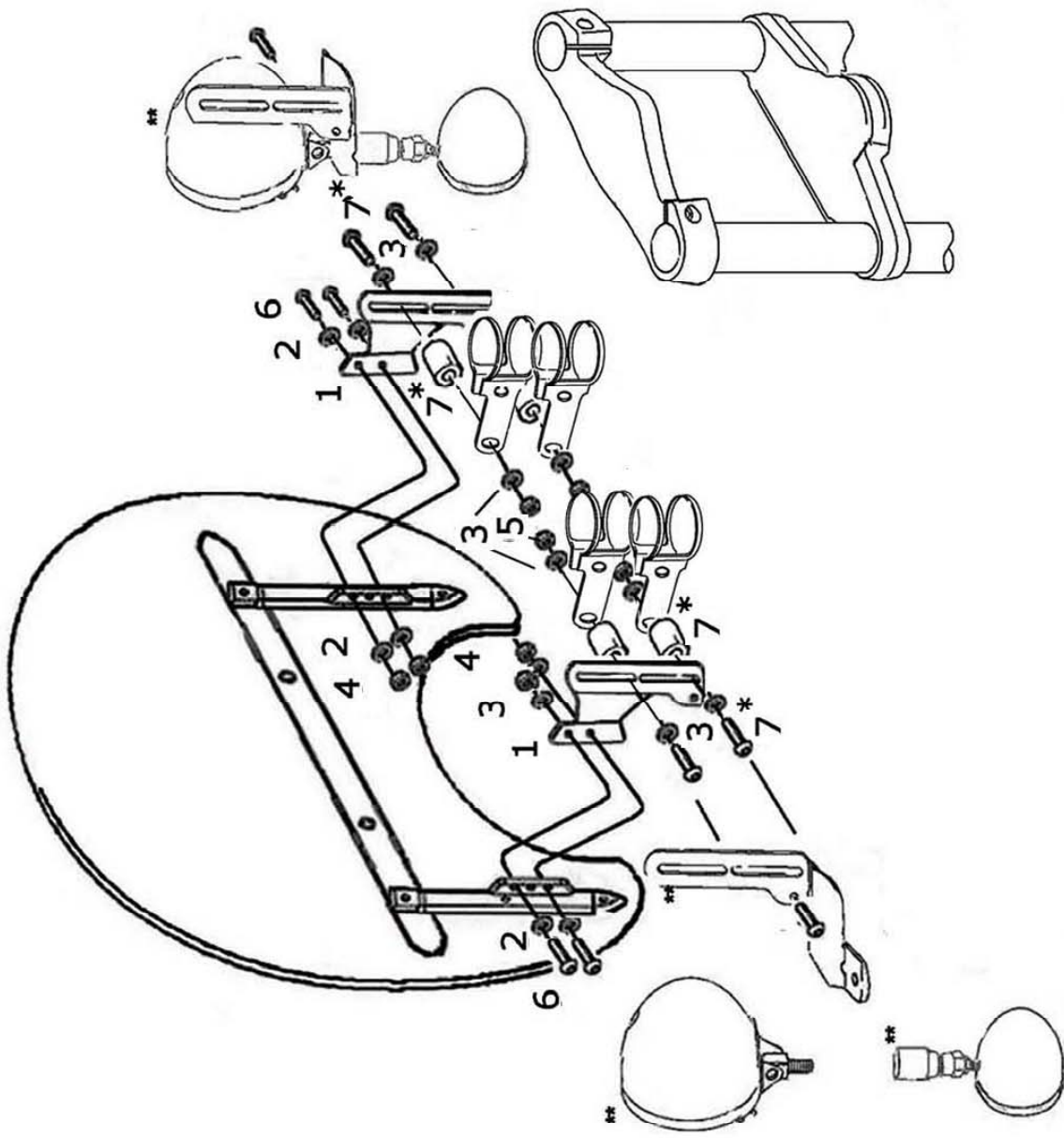


Windscreen Bracket

Art.no. 57-400C

Components	
1	Windscreen bracket 2X
2	Washer M6 8X
3	Washer M8 8X
4	Nut M6 4X
5	Nut M8 4X
6	Bolt M6 x 16 4X
7A	Bolt M8 x 35
	Bush Ø18 x 10 4X
7B	Bolt M8 x 50
	Bush Ø18 x 35 4X



* : Check measurement before mounting:
use only set A or B.

** : Option

Spotlight bracket for windscreen: 57-401
T.S. re-location kit: 68-1011/1021
Turnsignal: 68-7010
Spotlight see: HighwayHawk.com

Please check all fixings and mounting points
before assembly as listed on the mounting instruction sheet.

This accessory should be mounted by a professional mechanic only.
MotoLux International B.V. / Highway Hawk can not be held responsible for improper installation