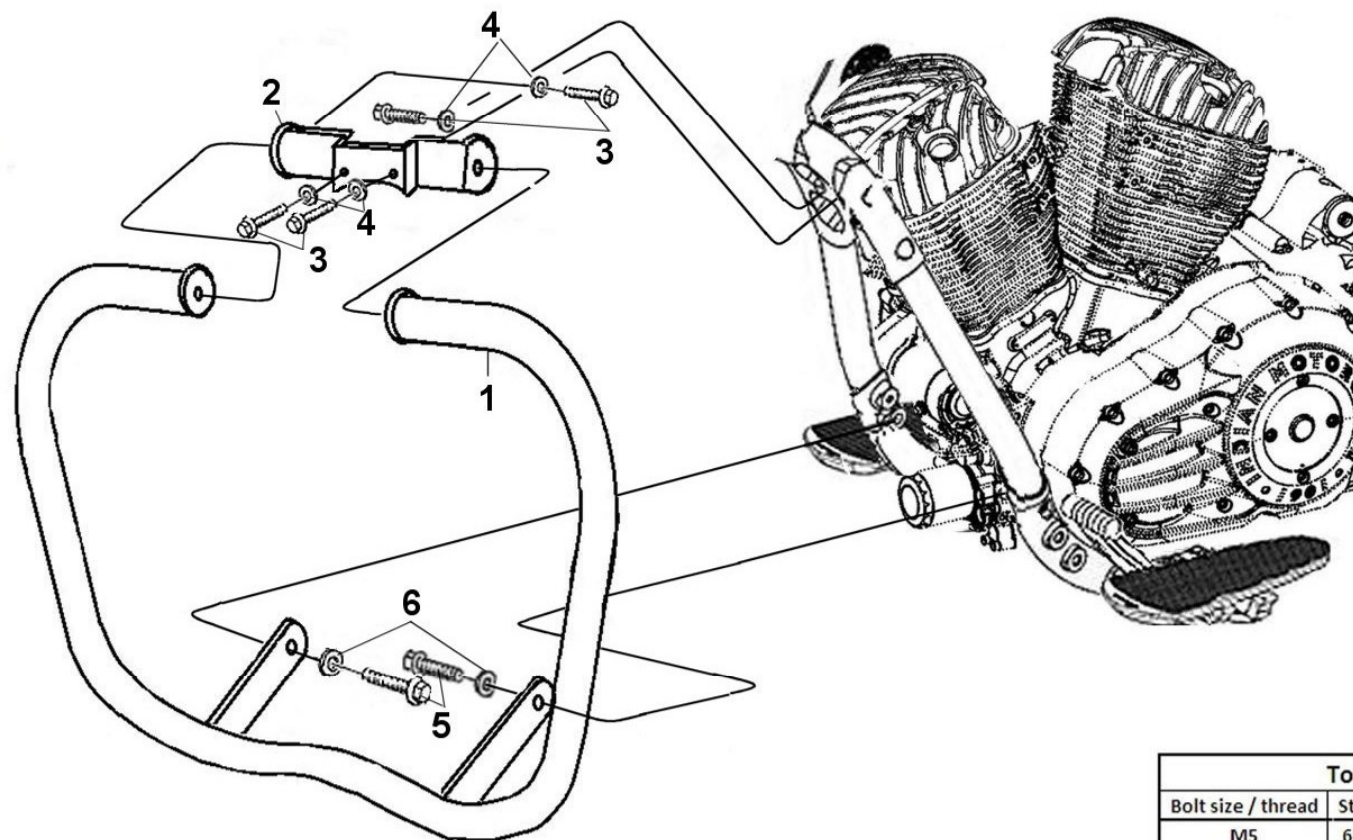


Components

1	Engine guard Ø38	1x
2	Mounting bracket	1x
3	Bolt M8 x 16mm	4x
4	Washer M8	4x
5	Bolt M10 x 20mm	2x
6	Washer M10	2x



Bolt size / thread	Torque		
	Steel	Steel 8.8	Stainless
M5	6Nm	9Nm	4Nm
M6	10Nm	15Nm	7,5Nm
M8	25Nm	37Nm	18Nm
M10X1.25	57Nm	83Nm	37Nm
M12X1.25	101Nm	149Nm	71Nm
M12	87Nm	130Nm	62Nm

Please check all fixings and mounting points before assembly as listed on the mounting instruction sheet.

This accessory should be mounted by a professional mechanic only, Motolux International B.V. / Highway Hawk can not be held responsible for improper installation

© MotoLux Specialties B.V.
Barneveld - The Netherlands