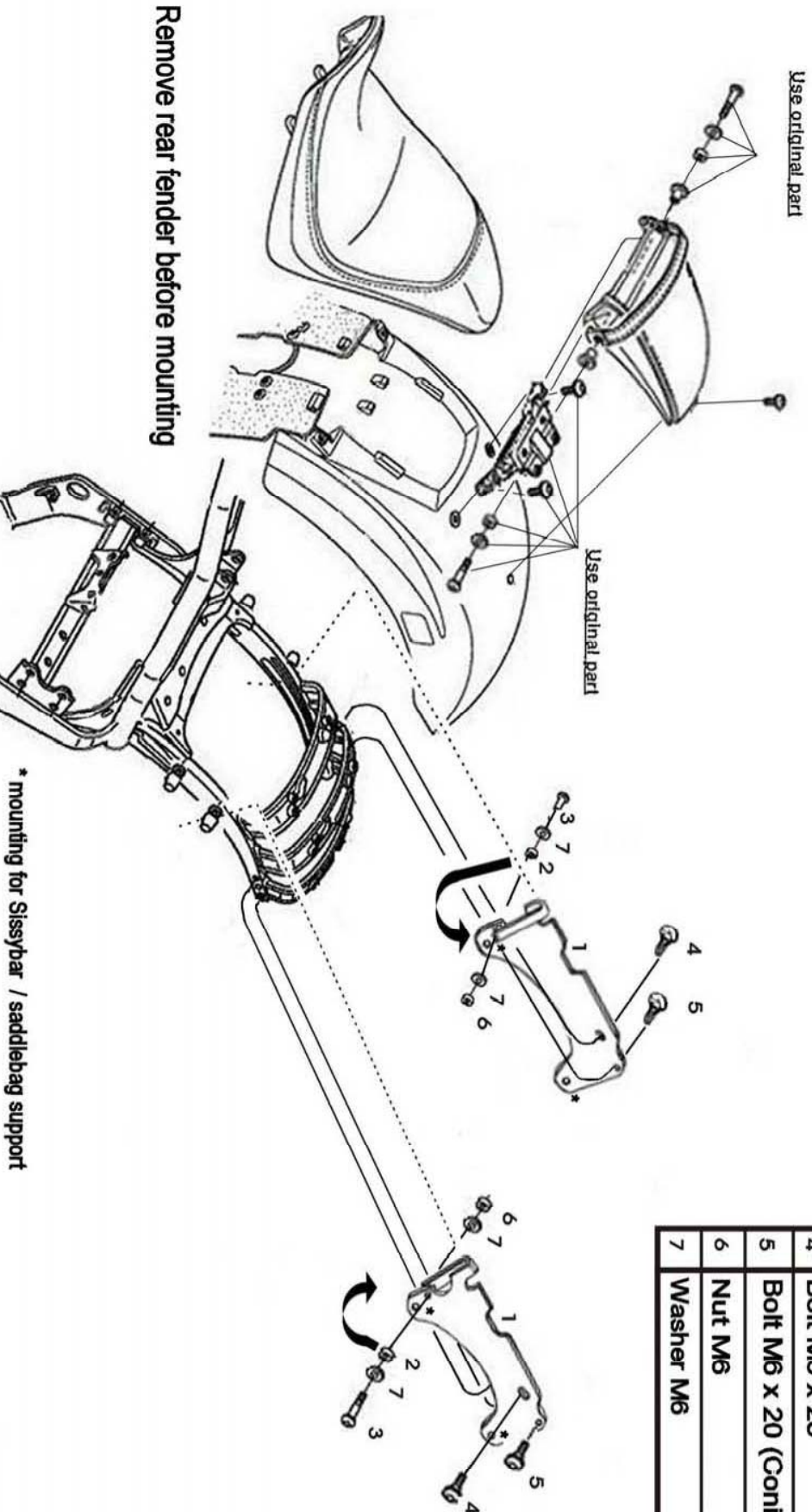


Components

1	Support bracket	2x
2	Spacer Ø12 x 18	2x
3	Bolt M6 x 35	2x
4	Bolt M6 x 25	2x
5	Bolt M6 x 20 (Conical)	2x
6	Nut M6	2x
7	Washer M6	4x



Remove rear fender before mounting

* mounting for Sissybar / saddlebag support