

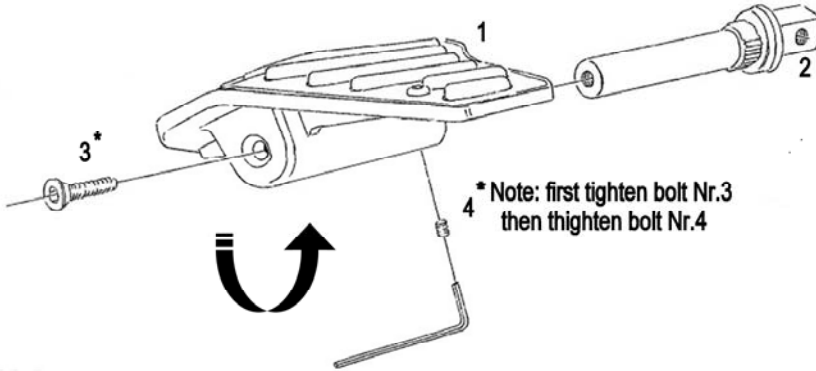
**HIGHWAY HAWK**  
*passion for chrome*

## Floorboard

Tech glide: rider and passenger  
For models see: HighwayHawk.com

### Components

1	Floorboard	2x
2	Mounting stud	2x
3	Bolt M8 x 25mm	2x
4	Tightning bolt M6	2x



This accessory should be mounted by a professional mechanic only.  
MotoLux International B.V. / Highway Hawk can not be held responsible for improper installation.

© Moto-Lux Specialties B.V.  
Barneveld - The Netherlands

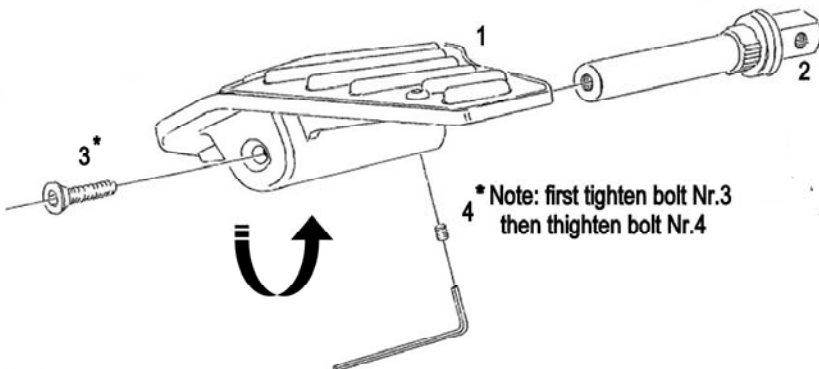
**HIGHWAY HAWK**  
*passion for chrome*

## Floorboard

Tech glide: rider and passenger  
For models see: HighwayHawk.com

### Components

1	Floorboard	2x
2	Mounting stud	2x
3	Bolt M8 x 25mm	2x
4	Tightning bolt M6	2x



This accessory should be mounted by a professional mechanic only.  
MotoLux International B.V. / Highway Hawk can not be held responsible for improper installation.

© Moto-Lux Specialties B.V.  
Barneveld - The Netherlands